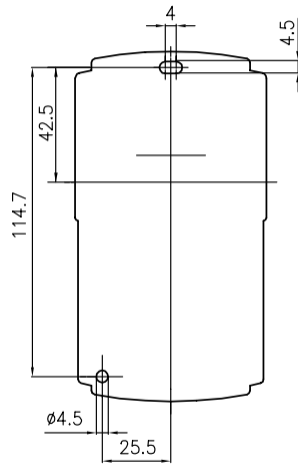
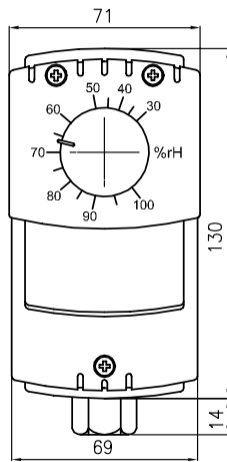
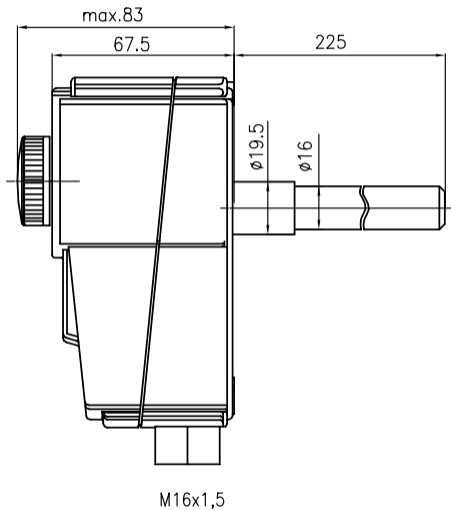


HI-x



[mm]